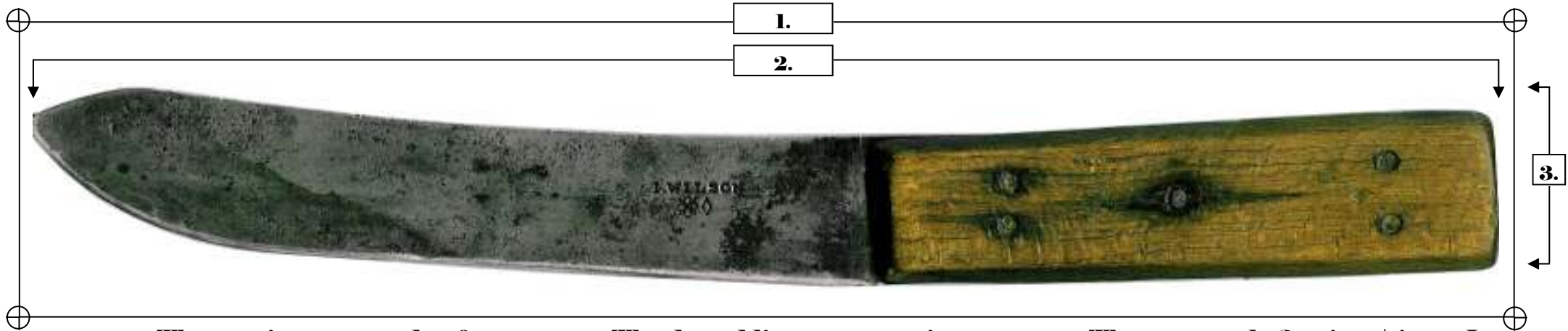


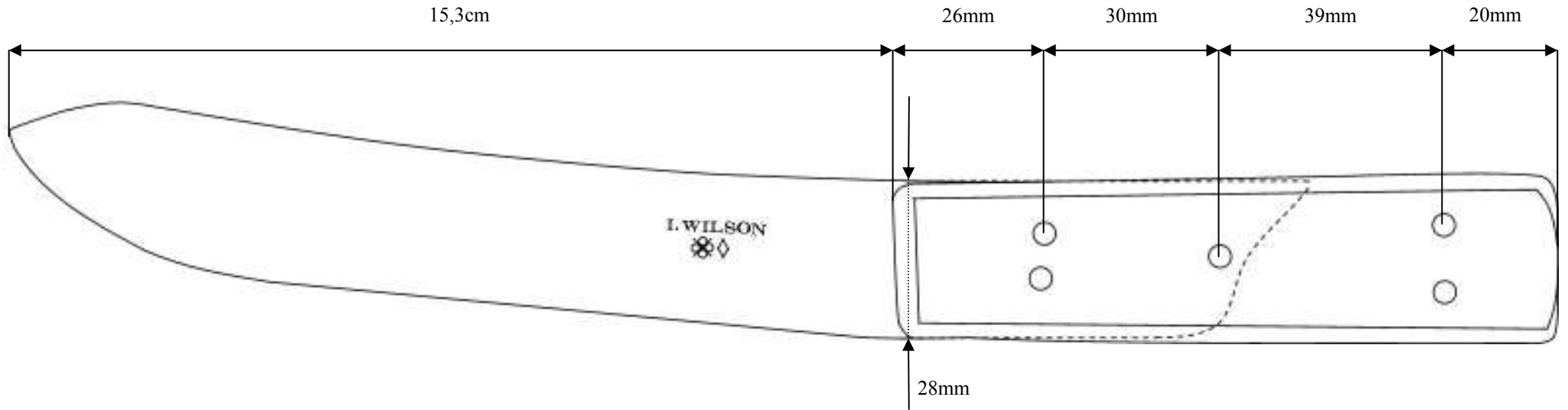
John Wilson 6 inch butcher knife

By: Sebastian Scheler

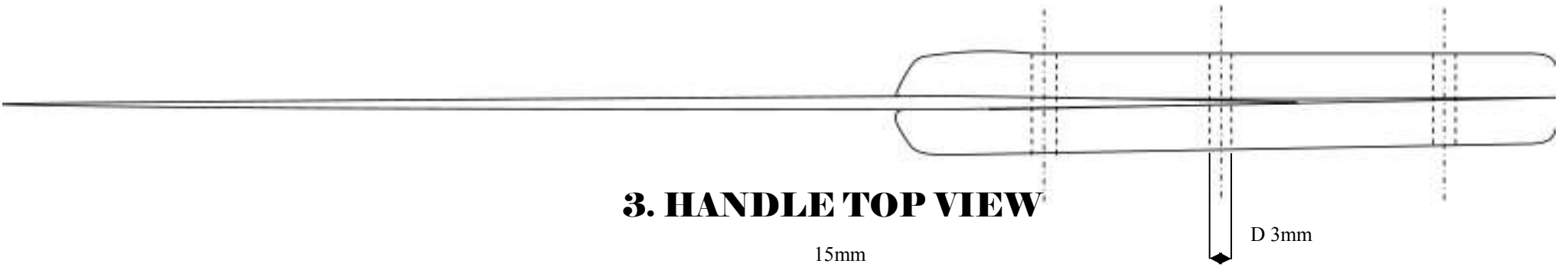


- **These prints are made after an original John Wilson butcher knife dated to the first half of the 19th century.**
- **All 3 prints and pictures are in actual size.**
- **The prints are just contours of the original with all damages and signs of usage included. The user therefore must make his own interpretations to how it looked when new.**
- **The dotted line representing the tang is not as accurate as I would like it to be. Without a X-ray I could only guess from what was seen on the outside.**
- **All measurements are in millimeters (mm).**
- **Materials used as far as my knowledge are:
Blade= Steel
Handle= Beech wood
Pins= Iron**
- **There are only 3 prints/views, I leave the rest to the user.**
- **The Knife belongs to the author.**

1. SIDE VIEW



2. "SPINE" VIEW



3. HANDLE TOP VIEW

